

SPECIFICATIONS
GENERAL:

The surface drainage system shall be 9000 Series Slot Drain complete with slotted linear trench opening as manufactured by Slot Drain Systems.

MATERIALS:

T304 Stainless Steel, T316 Stainless Steel, Galvanized Steel, Fiberglass

DESIGN OPTIONS:

Slot Opening (#): ½" (0), 1" (1), 1 ¼" (5)
 End (*): Open (0), End Cap (1), Flush Nipple (5)
 Section Lengths: Full 9'8", Half 4'10"
 Typical runs start with 102 or 102B (Half Section).

LOAD CLASS:

Load Class F (10,000 lbs.)

FLOW RATE:

½" 11 gpm (per foot of drain)
 1 18 gpm (per foot of drain)
 1 ¼" 27 gpm (per foot of drain)

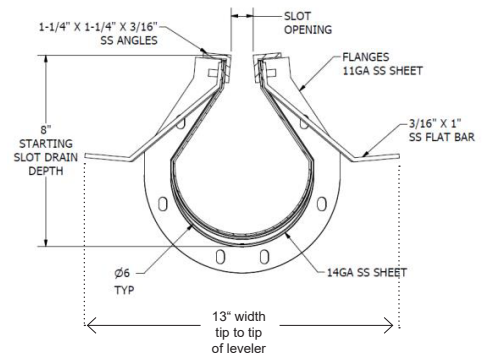
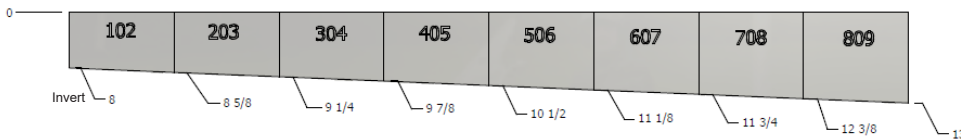
ACCESSORIES:

Cleaning paddle, Cleaning Brush, Flush Flo, CIP

INSTALLATION:

The 9000 Series Slot Drain System shall be installed in accordance with the manufacturer's installation instructions and recommendations.

Typical Modular Layout of a Slot Drain[®] System
 (Sections fit together as illustrated below)


DRAIN CHANNELS

DESCRIPTION	PART NO.	INVERT SHALLOW		INVERT DEEP	
		INCHES	MM	INCHES	MM
9000 SERIES SS SLOT 102 HALF	SD95#*-102B	8 ⁵ / ₁₆	211.137	8 ⁵ / ₈	219.075
9000 SERIES SS SLOT 102	SD95#*-102	8	203.2	8 ⁵ / ₈	219.075
9000 SERIES SS SLOT 203	SD95#*-203	8 ⁵ / ₈	219.075	9 ¹ / ₄	234.95
9000 SERIES SS SLOT 304	SD95#*-304	9 ¹ / ₄	234.95	9 ⁷ / ₈	250.825
9000 SERIES SS SLOT 405	SD95#*-405	9 ⁷ / ₈	250.825	10 ¹ / ₂	266.7
9000 SERIES SS SLOT 505 N	SD95#*-505B	10 ¹ / ₂	266.7	10 ¹ / ₂	266.7
9000 SERIES SS SLOT 506	SD95#*-506	10 ¹ / ₂	266.7	11 ¹ / ₈	282.575
9000 SERIES SS SLOT 607	SD95#*-607	11 ¹ / ₈	282.575	11 ³ / ₄	298.45
9000 SERIES SS SLOT 708	SD95#*-708	11 ³ / ₄	298.45	12 ³ / ₈	314.325
9000 SERIES SS SLOT 809	SD95#*-809	12 ³ / ₈	314.325	13	330.2
9000 SERIES 90° SS SLOT	-	-	-	-	-
9000 SERIES SS TRANSITION PIT	-	-	-	-	-
	-	-	-	-	-

CATCH BASIN

DESCRIPTION	TOP WIDTH		TOP LENGTH		BOTTOM WIDTH		BOTTOM LENGTH		HEIGHT		OUTLET HEIGHT		EDGE OF FRAME	
	INCHES	MM	INCHES	MM	INCHES	MM	INCHES	MM	INCHES	MM	INCHES	MM	INCHES	MM
9000 SS CB	13	304.8	13	304.8	13	304.8	13	304.8	20 ¹ / ₄	508	4 or 6	101.6 - 152.4	15	381

SPECIFYING ENGINEER IS RESPONSIBLE FOR CONCRETE ENCASEMENT AND REINFORCING BASED UPON APPLICATION AND LOCAL CODES.
 SLOT DRAIN SYSTEMS RESERVES THE RIGHT TO CHANGE THE PRODUCT AND SPECIFICATIONS WITHOUT NOTICE