

SPECIFICATIONS
GENERAL:

The surface drainage system shall be 6000 Series Slot Drain complete with slotted linear trench opening as manufactured by Slot Drain Systems.

MATERIALS:

T304 Stainless Steel, T316 Stainless Steel, Galvanized Steel

DESIGN OPTIONS:

Slot Opening (#): 1/2" (0), 1" (1), 1 1/4" (5)
 End (*): Open (0), End Cap (1), Flush Nipple (5)
 Section Lengths: Full 9'8", Half 4'10"
 Typical runs start with 102 or 102B (Half Section).

FLOW RATE:

1/2" 11 gpm (per foot of drain)
 1 18 gpm (per foot of drain)
 1 1/4" 27 gpm (per foot of drain)

LOAD CLASS:

Load Class C (56,200 lbs/ft)

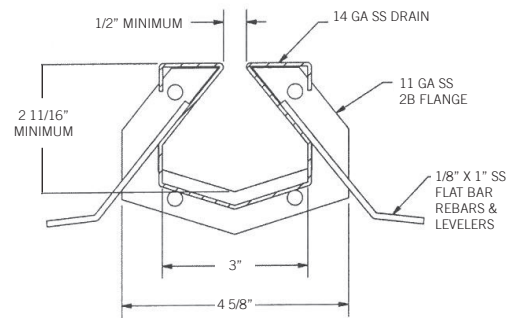
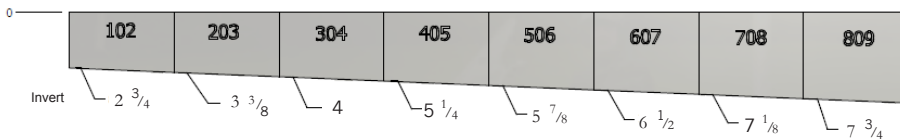
ACCESSORIES:

Cleaning paddle, Cleaning Brush, Flush Flo

INSTALLATION:

The 6000 Series Slot Drain System shall be installed in accordance with the manufacturer's installation instructions and recommendations.

TYPICAL MODULAR LAYOUT OF A 6000 SERIES SLOT DRAIN[®] SYSTEM
 (Sections fit together as illustrated below)


DRAIN CHANNELS

DESCRIPTION	PART NO.	INVERT SHALLOW		INVERT DEEP	
		INCHES	MM	INCHES	MM
6000 SERIES SS SLOT 102 HALF	SD65#* - 102B	3 1/16	78	3 3/8	86
6000 SERIES SS SLOT 102	SD65#* - 102	2 3/4	70	3 3/8	86
6000 SERIES SS SLOT 203	SD65#* - 203	3 3/8	86	4	102
6000 SERIES SS SLOT 304	SD65#* - 304	4	102	4 5/8	117
6000 SERIES SS SLOT 405	SD65#* - 405	5 1/4	133	5 7/8	149
6000 SERIES SS SLOT 505 N	SD65#* - 505B	5 9/16	142	5 7/8	149
6000 SERIES SS SLOT 506	SD65#* - 506	5 7/8	149	6 1/2	165
6000 SERIES SS SLOT 607	SD65#* - 607	6 1/2	165	7 1/8	181
6000 SERIES SS SLOT 708	SD65#* - 708	7 1/8	181	7 3/4	197
6000 SERIES SS SLOT 809	SD65#* - 809	7 3/4	197	8 3/8	213
6000 SERIES 90° SS SLOT	-	-	-	-	-
6000 SERIES SS TRANSITION PIT	-	-	-	-	-

CATCH BASIN

DESCRIPTION	TOP WIDTH		TOP LENGTH		BOTTOM WIDTH		BOTTOM LENGTH		HEIGHT		OUTLET HEIGHT	
	INCHES	MM	INCHES	MM	INCHES	MM	INCHES	MM	INCHES	MM	INCHES	MM
6000 SS CB LARGE	6	152	12	305	6	152	12	305	12 1/16	306	4 or 6	102 - 152.4
6000 SS CB SMALL	6	152	6	152	6	152	6	152	12 1/16	306	4 or 6	102 - 152.4

SPECIFYING ENGINEER IS RESPONSIBLE FOR CONCRETE ENCASEMENT AND REINFORCING BASED UPON APPLICATION AND LOCAL CODES. SLOT DRAIN SYSTEMS RESERVES THE RIGHT TO CHANGE THE PRODUCT AND SPECIFICATIONS WITHOUT NOTICE.